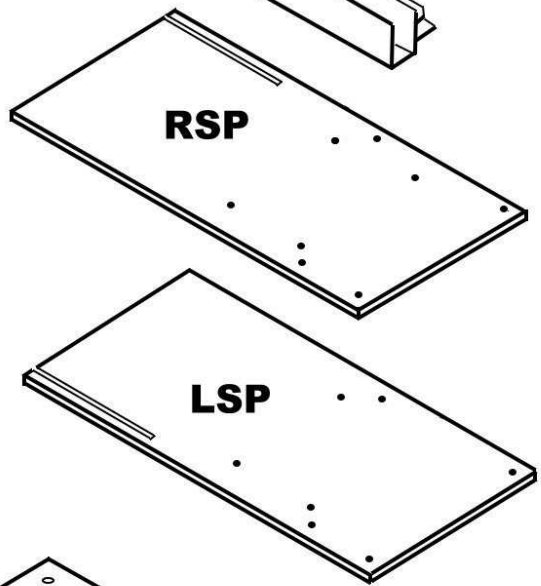
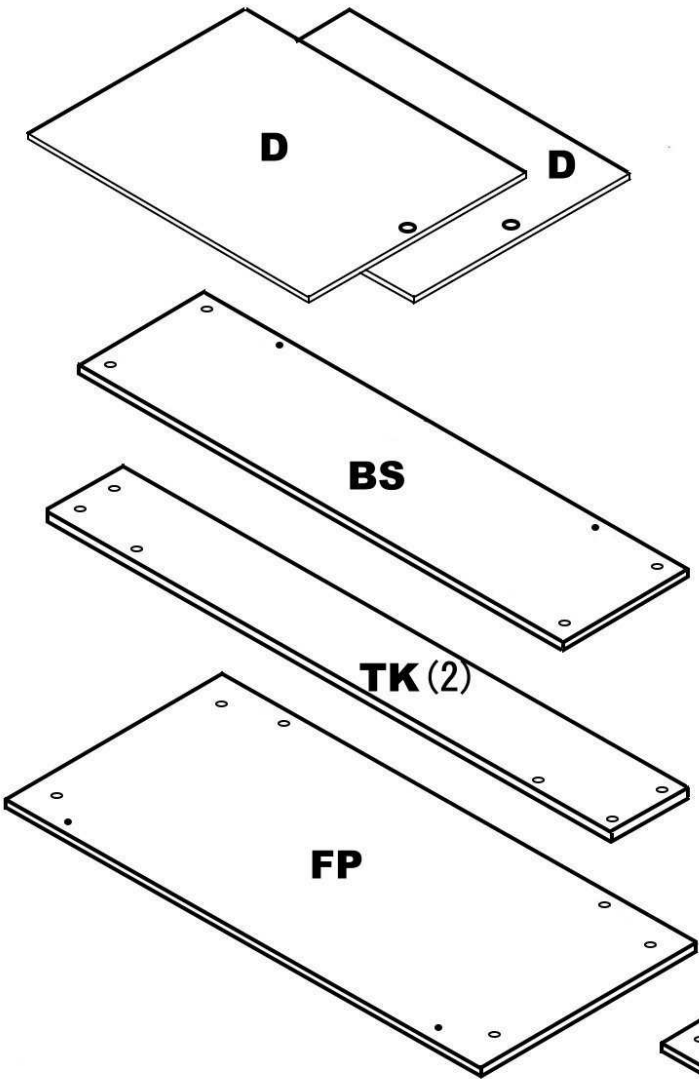
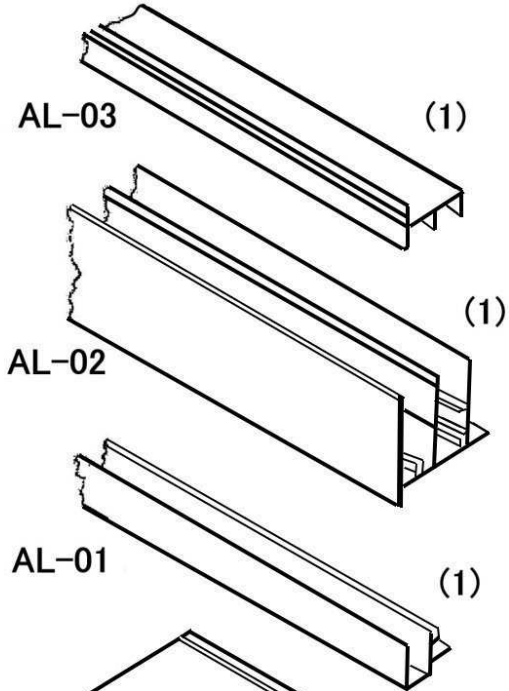
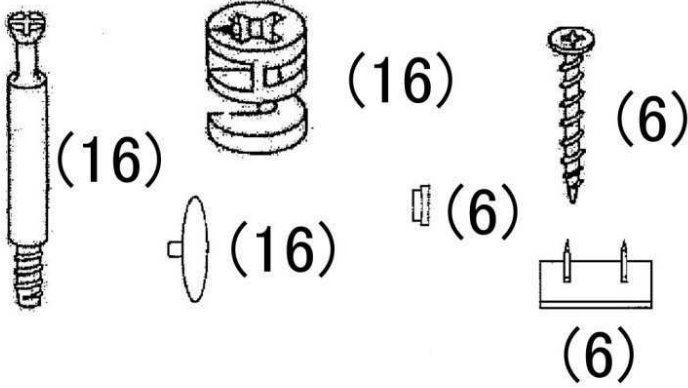


NOTE: It is recommended that two persons assemble this unit.

# ASSEMBLY INSTRUCTIONS

# PARTS LIST

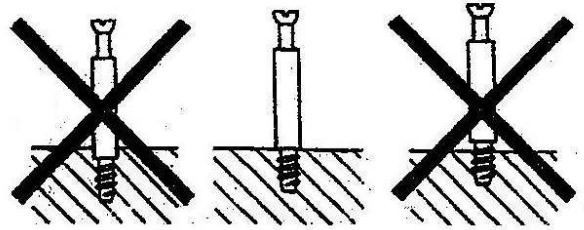
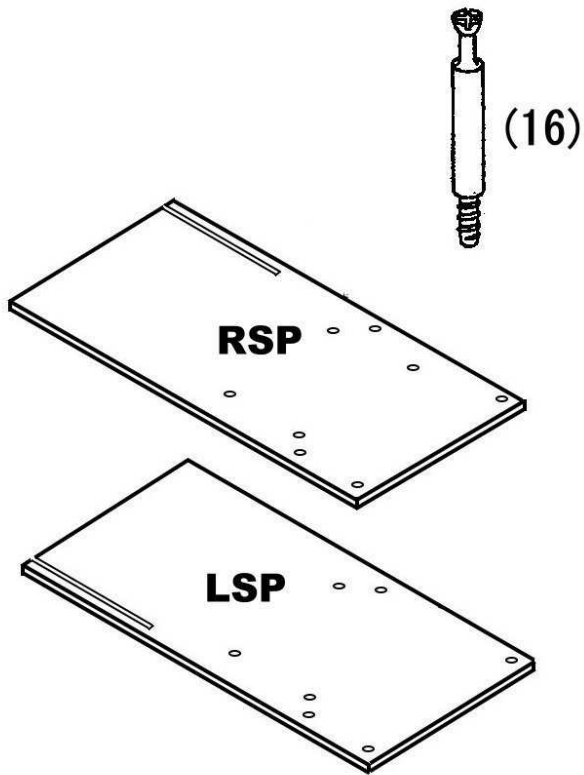
FELTS, PLASTIC GASKET, ALUMINUM EXTRUSIONS, AND SCREWS PACKED IN ONE CARTON



## TOOLS REQUIRED

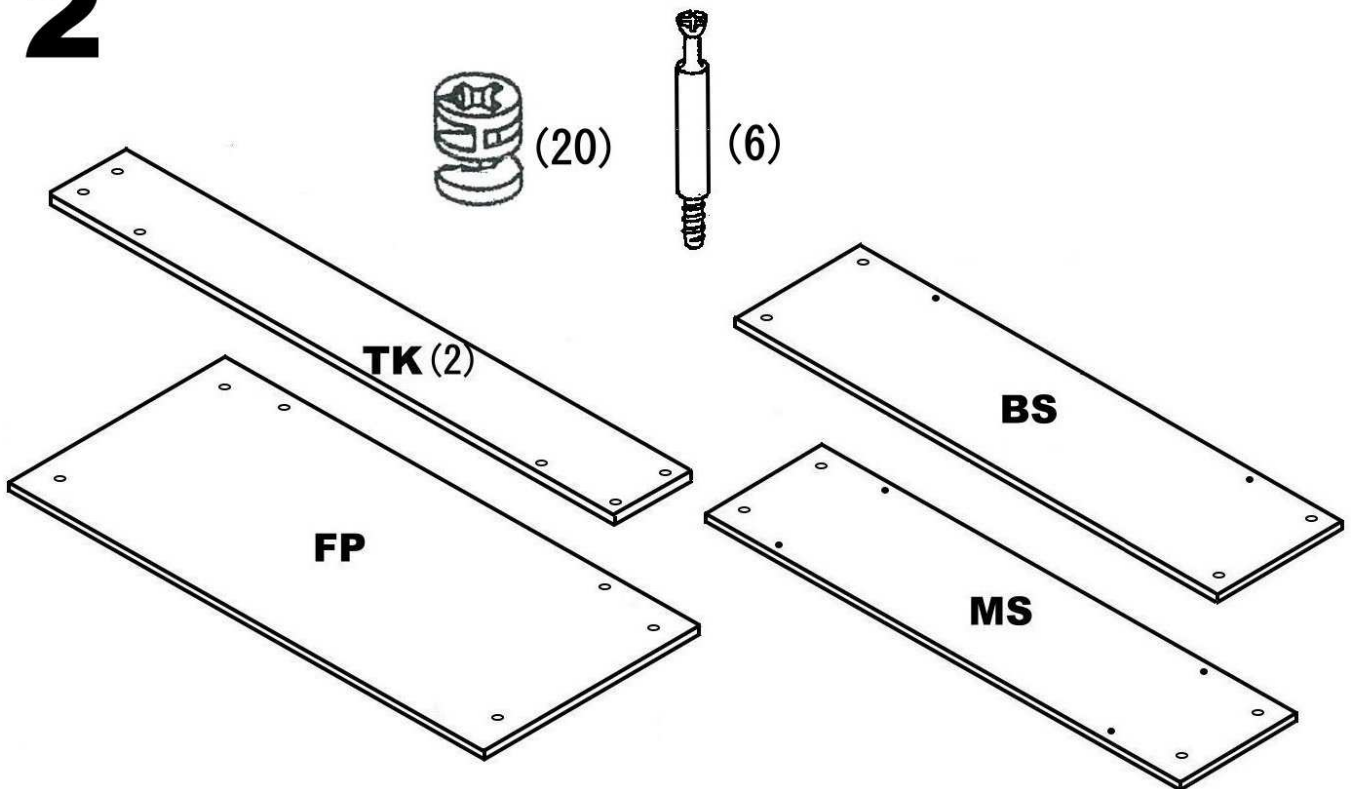


# 1

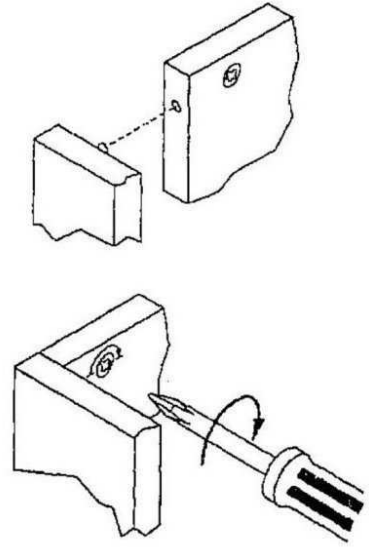
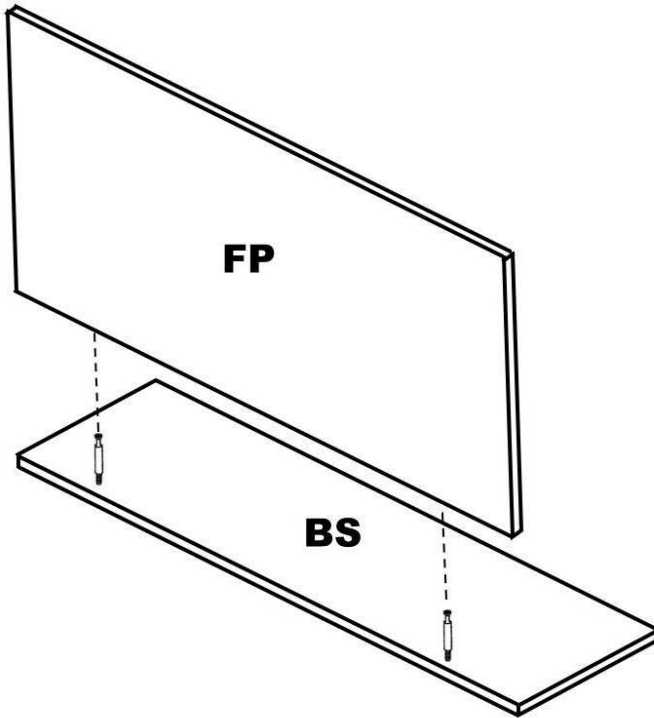


*Hand Tighten Only!  
Do Not Overtighten!*

# 2

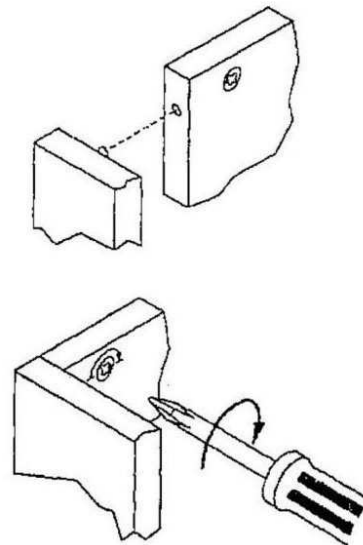
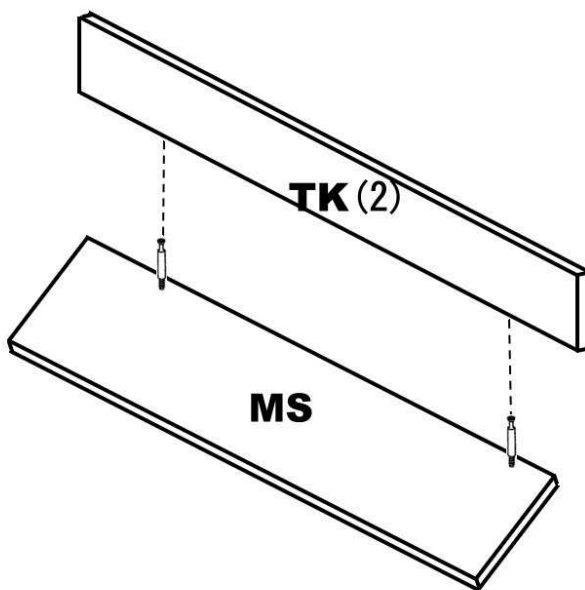


# 3



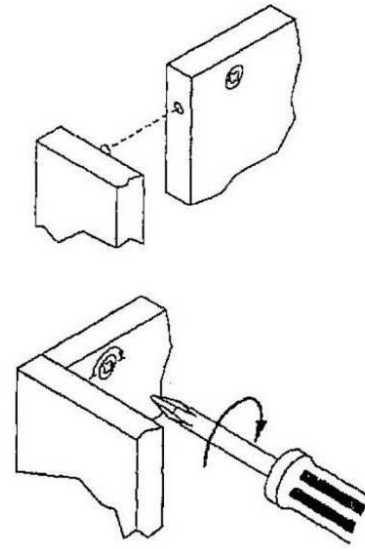
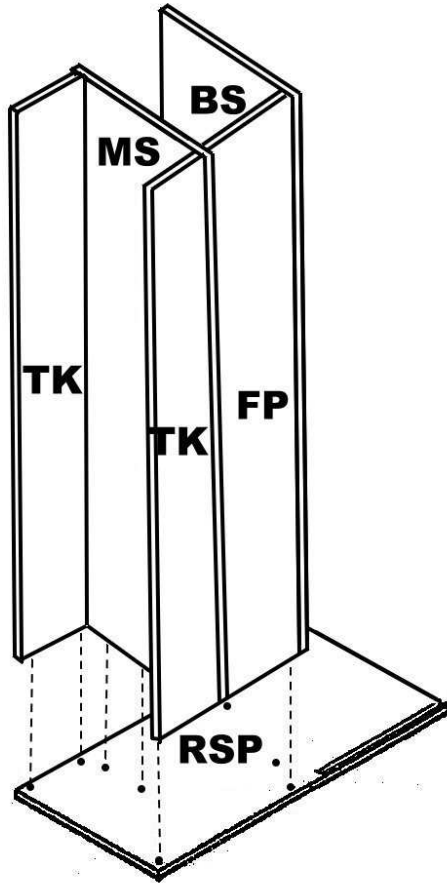
Fasten panels together and make sure all cams are locked.

# 4



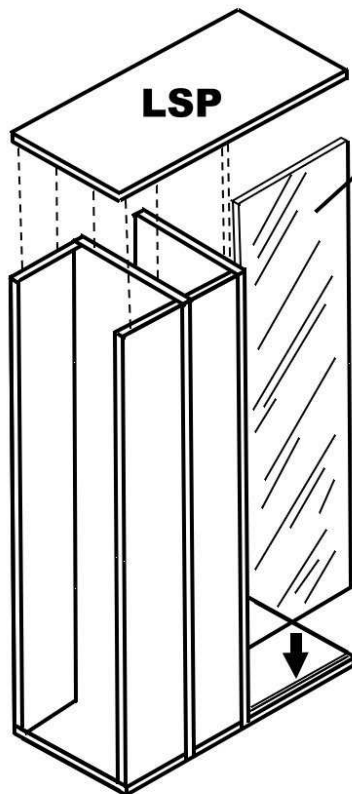
Fasten panels together and make sure all cams are locked.

# 5

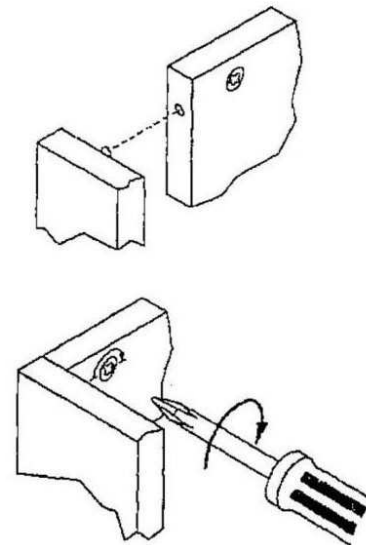


Fasten panels together and make sure all cams are locked.

# 6

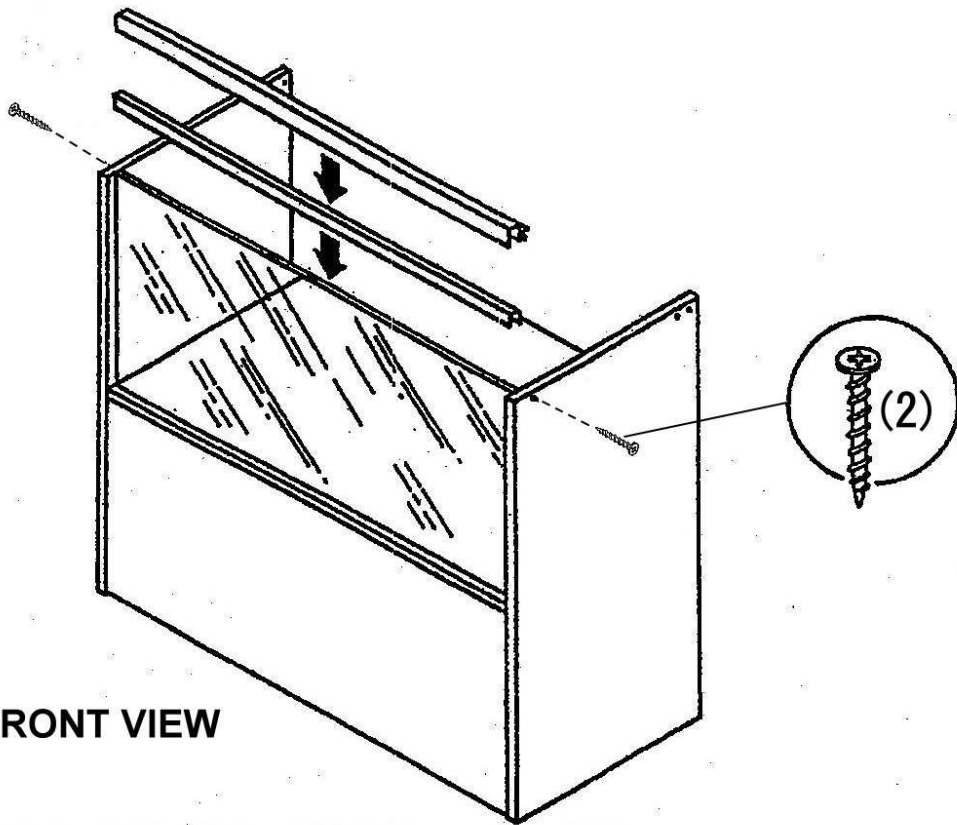


FRONT GLASS PANEL



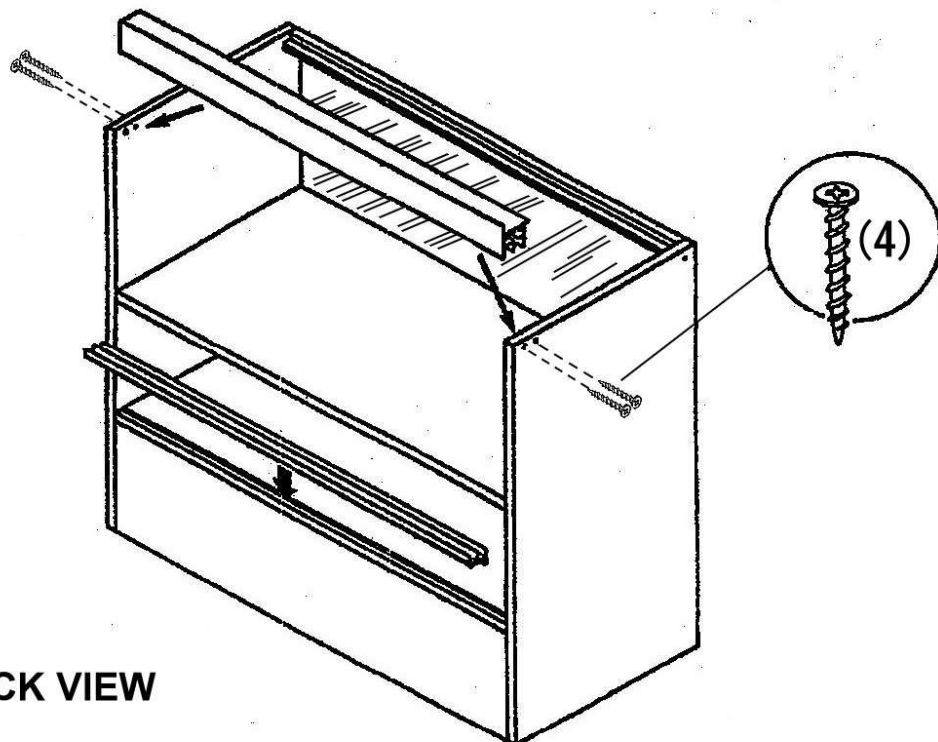
Fasten panels together and make sure all cams are locked.

**7**



**FRONT VIEW**

**8**



**BACK VIEW**

9

